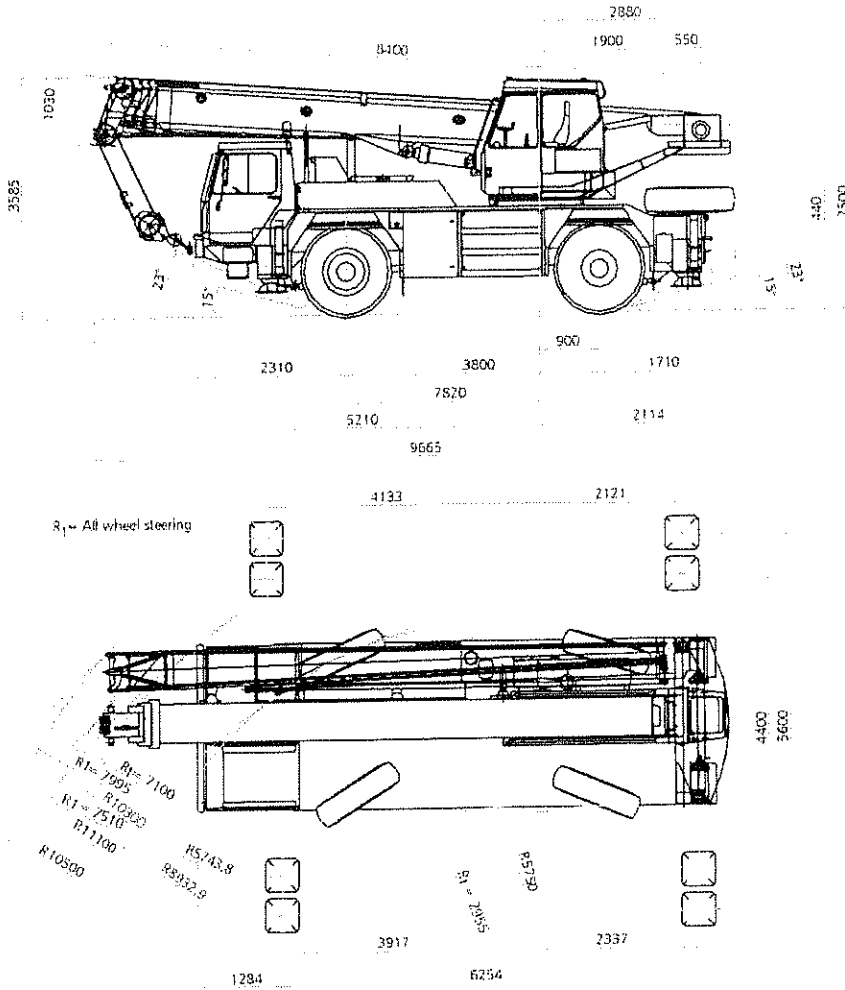




Liebherr LTM 1030/1

Dimensions



30
Tonne
All Terrain
Cranes

Load Reductions

Boom Length	8.4m	14.3m	20.1m	24.2m	26.0m
Load to be deducted	0.3t	0.3t	0.3t	0.3t	0.3t

Hookblock

Boom Length	20.0t	10.0t	3.5t
Load to be deducted	0.14t	0.12t	0.06t

The charts that have been included have been reproduced from manufacturer specifications, and while every effort has been made to ensure their accuracy, we do not accept any responsibility for errors or omissions. We also need to draw your attention to the guidance notes on page 48 to assist you with your crane selection.

[Home](#)

[Contents](#)

AT1



Liebherr LTM 1030/1

Main Boom Duties

Radius (m)	Full Outriggers 6.25m x5.60m				
	8.4m	14.3m	20.1m	24.2m	26m
2.5	30.0° 25.0				
3.0	22.8				
3.5	20.7		14.4		
4.0	18.8		14.3	12.0	
4.5	17.2	16.6	14.1	11.8	
5.0	15.8	15.4	14.0	11.6	10.0
6.0	12.5	12.7	12.5	11.2	8.9
7.0		10.9	10.3	9.8	8.0
8.0		9.1	8.7	8.3	7.1
9.0		7.6	7.5	7.2	6.5
10.0		6.4	6.5	6.3	5.9
12.0		4.8	4.8	4.7	4.7
14.0			3.8	3.8	3.7
16.0			3.0	3.1	3.0
18.0			2.5	2.4	2.4
20.0				2.0	2.0
22.0				1.7	1.7
24.0					1.3

Fly Jib Duties

Radius (m)	24.2m						26m					
	8.2m			14.4m			8.2m			14.4m		
	0°	15°	30°	0°	15°	30°	0°	15°	30°	0°	15°	30°
7.0	4.1						3.6					
8.0	4.0			2.1			3.4			2.1		
9.0	3.9	3.0		2.0			3.2	2.5		2.0		
10.0	3.8	2.8	2.3	2.0			3.2	2.4	1.9	1.9		
12.0	3.5	2.6	2.2	1.9	1.4		2.9	2.2	1.9	1.8	1.4	
14.0	3.1	2.5	2.1	1.7	1.4	1.2	2.7	2.1	1.8	1.6	1.3	1.1
16.0	2.8	2.3	2.0	1.5	1.3	1.2	2.5	2.0	1.7	1.5	1.3	1.1
18.0	2.3	2.2	2.0	1.4	1.3	1.1	2.2	1.9	1.7	1.4	1.2	1.0
20.0	1.9	2.0	1.9	1.4	1.2	1.1	1.9	1.8	1.6	1.4	1.2	1.0
22.0	1.6	1.7	1.7	1.3	1.2	1.0	1.6	1.6	1.5	1.2	1.1	0.9
24.0	1.4	1.4	1.5	1.1	1.1	1.0	1.3	1.4	1.4	1.2	1.0	0.9
26.0	1.2	1.2	1.2	1.0	1.1	1.0	1.1	1.2	1.2	1.1	1.0	0.9
28.0	1.0	1.0		1.0	1.0	0.9	0.9	1.0	1.0	1.0	0.9	0.9
30.0	0.9			0.9	0.9	0.9	0.8	0.8		0.8	0.8	0.8
32.0				0.7	0.8	0.8				0.7	0.8	0.8
34.0				0.6	0.7					0.6	0.6	0.7
36.0										0.5	0.5	0.7

* over rear and with special equipment

30
Tonne

All Terrain
Cranes

[Home](#)

[Contents](#)

AT2

The charts that have been included have been reproduced from manufacturer specifications, and while every effort has been made to ensure their accuracy, we do not accept any responsibility for errors or omissions. We also need to draw your attention to the guidance notes on page 48 to assist you with your crane selection.